



C&D 12-150 DNT

Valve Regulated Lead Acid Battery

For UPS Standby Power Applications

12V 150 Watts/Cell @ 15 Min Rate

12V 36 AH @ 20 HR Rate



APPLICATIONS

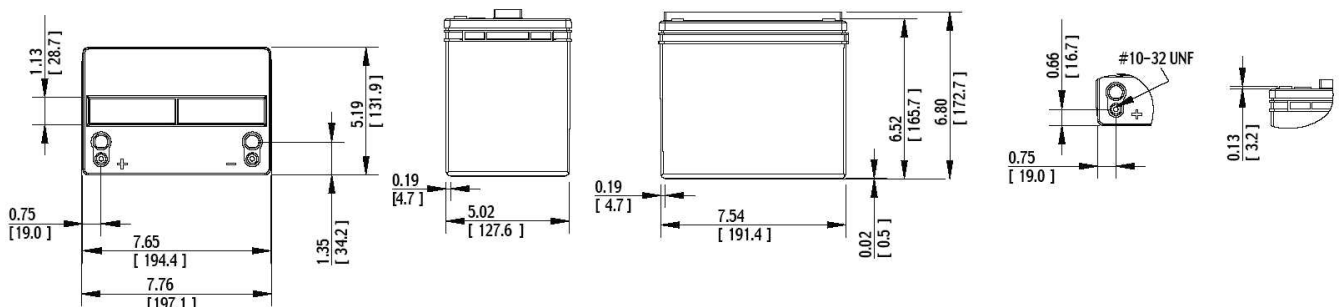
- Data Centers
- Network Operation Centers
- Industrial Process Control Facilities
- Internet Housing Sites
- Semiconductor Manufacturing
- Banks and Financial Markets
- Power Generation Plants
- Hospital and Testing Laboratories
- Emergency Response Center

FEATURES

- Design life:12 year
- Absorbent Glass Mat (AGM) technology for efficient gas recombination of up to 99% and freedom from electrolyte maintenance.
- Patented Long Life Alloy having the lowest calcium levels in the industry - minimizing grid growth, reducing gassing, and extending battery life
- Patented UL Recognized Flame-arresting vents in each cell for safety and long life.
- Designed with the same recombination, thermal runaway prevention, gassing and flame retardant characteristics of the Bellcore 4228
- Proprietary Fixed Orifice Plate Pasting technology applying active materials on both sides of the grid for consistent cell-to-cell performance, higher capacity and uniform grid protection.
- Can be operated in any orientation. Upright, side or end mounting recommended.
- Not restricted for air transport -Complies with IATA/ICAO Special Provisions A67.
- Not restricted for surface transport - Classified as non-hazardous material as related to DOT-CFR Title 49 parts171-189
- Not restricted for water transport - Classified as non-hazardous material per IMDG Amendment 27.

SPECIFICATIONS

Cell Per Unit	Voltage	Weight	Capacity		1 Min Current to 1.75VPC	Short Circuit Current	Resistance
6	12.98V	12.4 Kg	33 Ah (C10,1.80V)	36 Ah (C20,1.75V)	269 Amps	1475 Amps	8.45 (mΩ)



*All dimensions in inches and (millimeters). All dimensions are for reference only. Contact a C&D Representative for complete dimensional information.

SPECIFICATIONS

Operating Temperature Range with temperature compensation	Discharge: -40° F (-40° C) to +160° F (71° C) Charge: -10° F (-23° C) to +140° F (60° C)
Nominal Operating Temperature Range	+74° F (23° C) to +80° F (27° C)
Recommended Maximum Charging Current Limit	C/5 amperes @ 20hr rate
Float Charging Voltage	13.65 ± 0.15 VDC average per 12V unit. (6.75 to 6.90 per 6V unit)
Maximum AC Ripple (Charger)	0.5% RMS or 1.5% P-P of float charge voltage recommended for best results. Max voltage allowed = 1.4% RMS (4% P-P) Max current allowed = C/20
Self Discharge	Battery can be stored up to 6 months at 77° F (25° C) before a freshening charge is required. Batteries stored at temperatures greater than 77° F (25° C) will require recharge sooner than batteries stored at lower temperatures. See C&D brochure 41-7272, Self-Discharge and Inventory Control for details.
Equalize charge and cycle service voltage	14.40 to 14.80 VDC average per 12V unit @ 77° F (25° C) (7.20 to 7.40 VDC per 6V unit.)
Terminal: Inserted	Threaded copper alloy insert terminal to accept #10-32UNF bolt
Container and Cover Materials	PP (UL-94 V2)

Constant Power Discharge Table - Watts Per Cell @ 25°C (77°F)

Operating Time to End Point Voltage

End Voltage Per Cell	Min					Hour											
	5	10	15	30	60	2	3	4	5	6	7	8	9	10	12	20	24
1.85	203.9	155.8	123.3	76.1	45.6	25.2	17.7	13.8	11.3	9.6	8.4	7.5	6.7	6.1	5.0	2.9	2.4
1.80	225.4	172.1	136.3	81.3	47.0	26.0	18.3	14.3	11.7	10.0	8.7	7.7	7.0	6.3	5.2	3.0	2.5
1.78	230.3	175.6	139.3	82.3	47.2	26.1	18.4	14.3	11.8	10.0	8.8	7.8	7.0	6.4	5.3	3.0	2.5
1.75	235.3	179.2	142.3	83.3	47.4	26.2	18.4	14.4	11.9	10.1	8.8	7.9	7.1	6.4	5.3	3.1	2.5
1.73	240.2	181.9	144.3	84.3	47.6	26.3	18.5	14.5	11.9	10.2	8.9	7.9	7.1	6.4	5.3	3.1	2.5
1.70	245.2	184.7	146.3	85.3	47.8	26.4	18.6	14.6	11.9	10.2	8.9	7.9	7.1	6.5	5.3	3.1	2.5
1.67	248.5	188.6	149.3	85.8	48.0	26.5	18.6	14.6	12.0	10.2	8.9	7.9	7.2	6.5	5.4	3.1	2.5
1.65	250.1	191.5	151.3	86.3	48.2	26.6	18.7	14.7	12.0	10.3	9.0	8.0	7.2	6.5	5.4	3.1	2.5

Constant Current Discharge Table - Amps @ 25°C (77°F)

Operating Time to End Point Voltage

End Voltage Per Cell	Min					Hour											
	5	10	15	30	60	2	3	4	5	6	7	8	9	10	12	20	24
1.94	77.8	66.0	52.3	32.1	19.2	10.7	7.4	5.7	4.6	4.0	3.5	3.1	2.7	2.5	2.20	1.40	1.18
1.90	101.4	77.3	60.7	36.4	22.0	12.2	8.5	6.5	5.3	4.6	4.0	3.5	3.2	2.9	2.51	1.60	1.35
1.85	116.6	88.9	69.8	40.6	24.2	13.3	9.2	7.1	5.7	4.9	4.3	3.8	3.4	3.1	2.70	1.71	1.44
1.83	120.7	92.2	72.4	41.7	24.8	13.6	9.4	7.2	5.8	5.0	4.4	3.9	3.5	3.1	2.73	1.73	1.46
1.80	126.4	96.5	75.8	43.3	25.4	14.0	9.6	7.4	6.0	5.1	4.5	3.9	3.5	3.2	2.79	1.76	1.48
1.78	129.2	98.8	77.0	43.9	25.5	14.0	9.7	7.4	6.0	5.2	4.5	4.0	3.6	3.2	2.80	1.77	1.49
1.75	132.1	100.7	78.0	44.7	25.8	14.1	9.7	7.4	6.0	5.2	4.5	4.0	3.6	3.3	2.84	1.80	1.52
1.70	135.4	103.4	80.0	45.6	26.1	14.3	9.8	7.5	6.1	5.2	4.5	4.0	3.6	3.3	2.85	1.81	1.52

* All data shall be changed without prior notice, C&D reserves the right to explain and update the information contained hereinto.