



C&D 12-370R DNT

Valve Regulated Lead Acid Battery For UPS Standby Power Applications

12V 370 Watts/Cell @ 15 Min Rate

12V 102 AH @ 20 HR Rate



APPLICATIONS

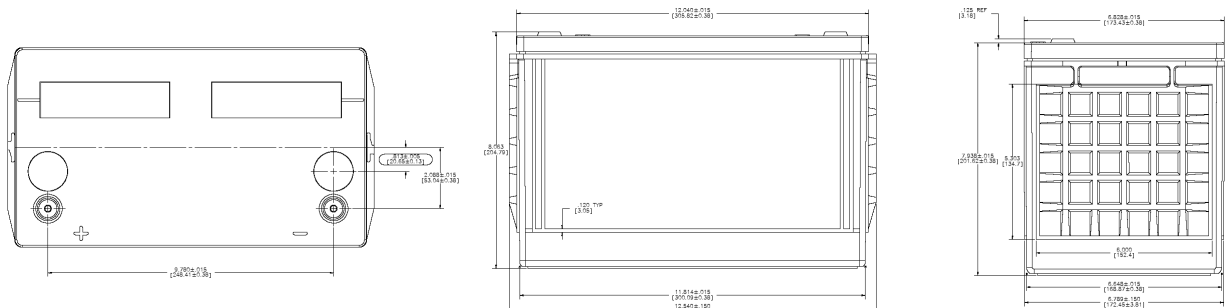
- Data Centers
- Network Operation Centers
- Industrial Process Control Facilities
- Internet Housing Sites
- Semiconductor Manufacturing
- Banks and Financial Markets
- Power Generation Plants
- Hospital and Testing Laboratories
- Emergency Response Center

FEATURES

- Design life:12 year
- Absorbent Glass Mat (AGM) technology for efficient gas recombination of up to 99% and freedom from electrolyte maintenance.
- Patented Long Life Alloy having the lowest calcium levels in the industry - minimizing grid growth, reducing gassing, and extending battery life
- Patented UL Recognized Flame-arresting vents in each cell for safety and long life.
- Designed with the same recombination, thermal runaway prevention, gassing and flame retardant characteristics of the Bellcore 4228
- Proprietary Fixed Orifice Plate Pasting technology applying active materials on both sides of the grid for consistent cell-to-cell performance, higher capacity and uniform grid protection.
- Can be operated in upright, side or end mounting orientation.
- Not restricted for air transport -Complies with IATA/ICAO Special Provisions A67.
- Not restricted for surface transport - Classified as non-hazardous material as related to DOT-CFR Title 49 parts171-189
- Not restricted for water transport - Classified as non-hazardous material per IMDG Amendment 27.

SPECIFICATIONS

Cells Per Unit	Voltage	Weight	IEC Rating (C10, 1.80V @ 20°C)	Capacity (C20, 1.75V @ 25°C)	1 Min Current to 1.75VPC	Short Circuit Current	Resistance
6	12.98V	31.5 Kg	90 Ah	102Ah	541 Amps	2734 Amps	4.65 (mΩ)



*All dimensions in inches and (millimeters). All dimensions are for reference only. Contact a C&D Representative for complete dimensional information.

SPECIFICATIONS

Operating Temperature Range with temperature compensation	Discharge: -40° F (-40° C) to +160° F (71° C) Charge: -10° F (-23° C) to +140° F (60° C)
Nominal Operating Temperature Range	+74° F (23° C) to +80° F (27° C)
Recommended Maximum Charging Current Limit	C/5 amperes @ 20hr rate
Float Charging Voltage	13.65 ± 0.15 VDC average per 12V unit.
Maximum AC Ripple (Charger)	0.5% RMS or 1.5% P-P of float charge voltage recommended for best results. Max voltage allowed = 1.4% RMS (4% P-P) Max current allowed = C/20
Self Discharge	Battery can be stored up to 6 months at 77° F (25° C) before a freshening charge is required. Batteries stored at temperatures greater than 77° F (25° C) will require recharge sooner than batteries stored at lower temperatures. See C&D brochure 41-7272, Self-Discharge and Inventory Control for details.
Equalize charge and cycle service voltage	14.40 to 14.80 VDC average per 12V unit @ 77° F (25° C)
Terminal	Threaded copper alloy insert terminal to accept 1/4-20 UNC bolt
Container and Cover Materials	PP (UL94V-2)

Constant Power Discharge Table - Watts Per Cell @ 25°C (77°F)

Operating Time to End Point Voltage

EPV	5 min	10 min	15 min	20 min	25 min	30 min	45 min	60 min	90 min	2 hr	3 hr	4 hr	5 hr	8 hr	10 hr	12 hr	20 hr
1.85	522.9	391.3	310.5	261.9	229.5	206.0	158.4	131.4	93.2	73.05	51.80	40.57	33.57	22.29	18.16	15.36	9.58
1.80	571.9	435.1	339.6	283.1	245.8	219.0	166.8	137.5	97.2	75.95	53.66	42.58	34.41	22.78	18.61	15.77	9.91
1.75	605.0	460.8	359.3	297.1	256.3	227.2	171.1	139.9	98.6	76.91	54.21	42.36	34.71	23.01	18.85	16.03	10.17
1.70	622.6	474.6	369.7	304.3	261.6	231.3	174.1	142.3	100.0	77.81	54.71	42.63	35.01	23.19	18.95	16.12	10.22
1.67	633.3	484.5	376.1	308.8	264.9	233.8	175.7	143.5	100.6	78.21	55.01	42.79	35.16	23.27	19.01	16.17	10.25
1.65	640.6	491.3	380.4	311.8	267.1	235.5	177.1	144.7	101.3	78.61	55.11	42.90	35.31	23.33	19.05	16.20	10.27

Constant Current Discharge Table - Amps @ 25°C (77°F)

Operating Time to End Point Voltage

EPV	5 min	10 min	15 min	30 min	60 min	90 min	2 hr	3 hr	4 hr	5 hr	6 hr	7 hr	8 hr	10 hr	12 hr	20 hr	24 hr
1.90	215.8	190.3	158.8	102.9	61.5	43.2	33.58	23.57	18.34	15.09	12.87	11.25	10.01	8.24	7.03	4.51	3.83
1.85	289.3	221.8	177.2	114.1	67.2	47.1	36.59	25.63	19.91	16.37	13.95	12.18	10.83	8.90	7.59	4.86	4.13
1.80	314.8	240.2	191.2	122.1	69.1	48.5	37.72	26.46	20.58	16.93	14.44	12.62	11.23	9.24	7.89	5.05	4.30
1.75	328.3	250.1	199.4	125.1	70.8	49.6	38.53	26.99	20.97	17.24	14.70	12.83	11.42	9.39	8.01	5.12	4.35

* C&D 12-370R DNT is the same product as C&D 12-370 DNT, but changes the side structure design of container with adding strengthen rib to improve appearance and strength.

* All data shall be changed without prior notice, C&D reserves the right to explain and update the information contained hereinto.