



C&D 12-54 LBT

VALVE REGULATED LEAD ACID BATTERY FOR STANDBY POWER APPLICATIONS



12V 54 AH @ 20 HR Rate,

12V 161 Watts/Cell @ 15 Min Rate

FEATURES

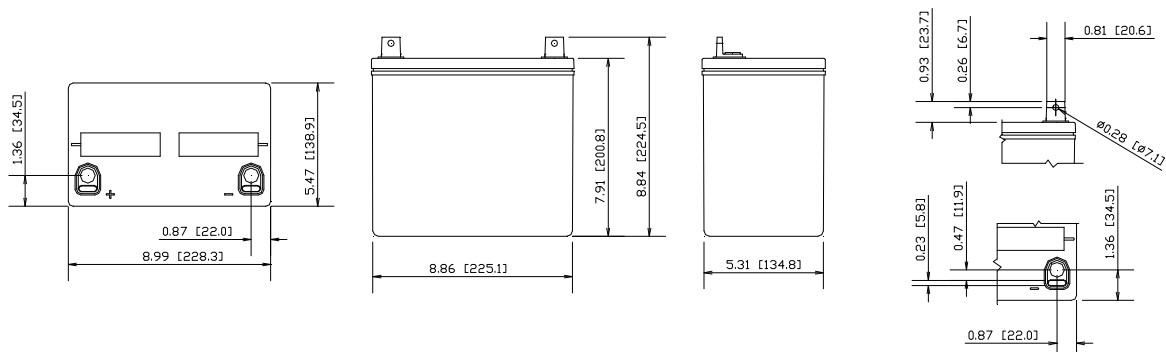
APPLICATIONS

- Telecommunications
- General Purpose Applications
- Uninterrupted Power Supply (UPS)
- Other Float Applications

- Design life: 7-10 years
- Robust plate for extended life.
- Flame-arresting one-way pressure-relief vent for safety and long life.
- Absorbent Glass Mat (AGM) technology for efficient gas recombination of up to 99% and freedom from electrolyte maintenance.
- UL-recognized component.
- Multicell design for economy of installation and maintenance.
- Can be used in any orientation. Upright, side, or end mounting recommended.
- Not restricted for air transport – Complies with IATA/ICAO Special Provision A67.
- Not restricted for surface transport – classified as non-hazardous material as related to DOT-CFR Title 49 parts 171-189
- Not restricted for water transport – classified as non-hazardous material per IMDG Amendment 27
- Computer designed lead, low Calcium alloy grid for minimal gassing and ease of recycling.

SPECIFICATIONS

Cells Per Unit	Voltage	Weight	Capacity		1 Min Current to 1.75VPC	Short Circuit Current	Resistance
6	12.98V	17 Kg	47 Ah (C10, 1.80V)	54 Ah (C20, 1.75V)	196 Amps	1295 Amps	9.6 (mΩ)



* All dimensions are in inches (mm). All dimensions are for reference only. Contact a C&D Representative for complete dimensional information.

SPECIFICATIONS

Operating Temperature Range with temperature compensation	Discharge: -40°F (-40°C) to +160°F (71°C). Charge: -10°F (-23°C) to +140°F (60°C)
Recommended Operating Temperature Range	+74°F (23°C) to +80°F (27°C).
Floating Charging Voltage	13.65 ± 0.15 VDC/unit Average at 77°F (25°C).
Recommended Maximum Charging Current Limit	C/5 amperes @ 20 hr. rate.
Equalization and Cycle Service Charging Voltage	14.4 to 14.8 VDC/unit Average at 77°F (25°C).
Maximum AC Ripple (Charger)	0.5% RMS or 1.5% P-P of float charge voltage recommended for best results. Maximum voltage allowed = 1.4% RMS (4% P-P). Maximum current allowed = 5.10 amperes RMS (C/20).
Self Discharge	Batteries may be stored for up to 6 months at 77°F (25°C) and then a freshening charge is required. For higher temperatures the time interval will be shorter.
Accessories	Inter unit connectors, racks and cabinet systems are available.
Terminal: L	"L" terminal with 0.28" clearance hole to accept 0.25" (6mm) bolt.
Container Materials	PP (UL-94 HB)

Constant Power Discharge Table - Watts Per Cell @ 25°C (77°F)

Operating Time to End Point Voltage

End Voltage Per Cell	Min					Hour											
	5	10	15	30	60	2	3	4	5	6	7	8	9	10	12	20	24
1.85	201.3	159.9	129.0	86.4	55.3	32.6	23.6	18.8	15.7	13.5	12.0	10.7	9.7	8.8	7.5	4.7	4.0
1.80	227.9	176.3	141.7	92.7	58.8	34.0	24.5	19.4	16.2	14.0	12.3	10.9	9.9	9.0	7.7	4.9	4.1
1.75	242.3	185.3	151.3	95.9	60.5	34.6	24.9	19.6	16.4	14.2	12.4	11.0	10.0	9.1	7.7	4.9	4.2
1.70	256.5	194.9	157.7	98.3	61.0	34.9	25.0	19.8	16.6	14.3	12.5	11.1	10.0	9.1	7.8	4.9	4.2
1.67	262.6	199.5	160.3	99.3	61.3	35.0	25.1	19.9	16.6	14.3	12.5	11.1	10.1	9.2	7.8	5.0	4.2
1.65	265.3	202.3	161.3	100.0	61.6	35.4	25.3	20.0	16.7	14.3	12.6	11.2	10.1	9.2	7.8	5.0	4.3

Constant Current Discharge Table - Amps @ 25°C (77°F)

Operating Time to End Point Voltage

End Voltage Per Cell	Min					Hour											
	5	10	15	30	60	2	3	4	5	6	7	8	9	10	12	20	24
1.85	103.0	85.3	69.3	44.6	28.3	17.6	12.5	9.7	8.0	7.0	6.1	5.5	4.9	4.5	3.94	2.57	2.21
1.80	122.3	95.0	76.0	48.2	30.3	18.4	13.0	10.2	8.4	7.3	6.4	5.7	5.1	4.7	4.09	2.67	2.30
1.75	133.9	102.4	81.0	50.6	31.1	18.6	13.2	10.3	8.5	7.4	6.5	5.8	5.2	4.8	4.17	2.72	2.34
1.70	141.4	109.4	86.0	53.0	31.9	18.8	13.3	10.4	8.6	7.5	6.6	5.9	5.3	4.9	4.26	2.78	2.39

* All data shall be changed without prior notice, C&D reserves the right to explain and update the information contained herein.