



# C&D 2-100 LBT

## VALVE REGULATED LEAD ACID BATTERY FOR STANDBY POWER APPLICATIONS



### APPLICATIONS

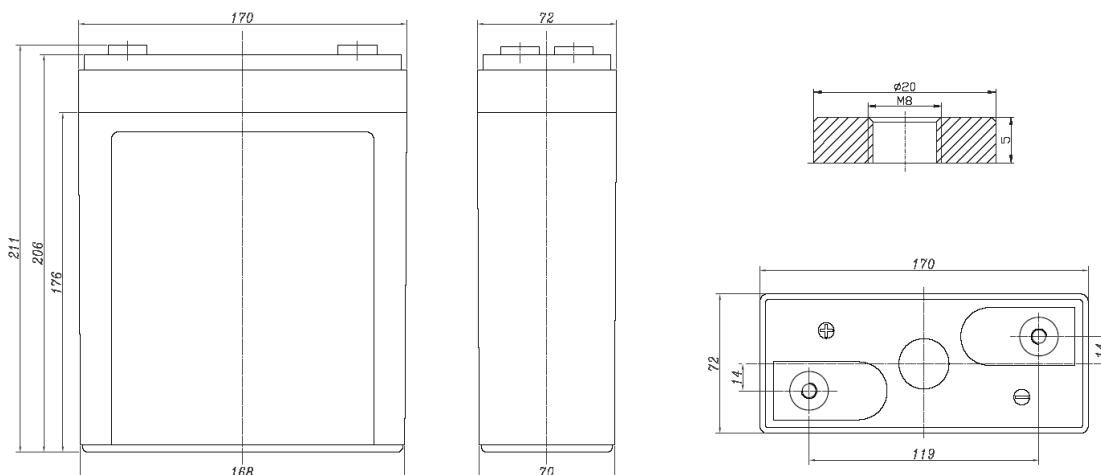
- Telecom control system
- Uninterrupted Power Supply (UPS)
- Metro and assistant system
- Marine equipment
- Power plant and Nuclear Plant
- Hospital and medical equipment
- Well and storage back up power source
- Fire alarm applications
- Alarm and safety system

### FEATURES

- 15 years design life
- 3 years warranty
- High quality design insurance
- Pb-Ca Alloy for positive plate grid
- Absorbent Glass Mat (AGM) technology for efficient gas recombination of up to 99% and freedom from electrolyte maintenance
- Lower self-discharge rate (about 3% per month @20°C)
- UL Certificate
- Flame retardant container materials
- Not restricted for air transport - Complies with IATA/ICAO Special Provisions A67.
- Not restricted for surface transport - Classified as non-hazardous material as related to DOT-CFR Title 49 parts 171-189
- Not restricted for water transport - Classified as non-hazardous material per IMDG Amendment 27.

### SPECIFICATIONS

Cells Per Unit	Voltage Per Unit	Weight	Capacity (10hr rate, 1.80V)	Dimensions (L*W*H* TH with cover mm)				Resistance
1	2V	6.5 Kg	100 Ah	170	72	206	211	1 (mΩ)



\* All dimensions are in mm. All dimensions are for reference only. Contact a C&D Representative for complete dimensional information.

## SPECIFICATIONS

<b>Operating Temperature Range with temperature compensation</b>	Discharge: -20°C to 60°C Charge: 0°C to 50°C Storage: -20°C to 60°C
<b>Nominal Operating Temperature Range</b>	25°C ± 5°C
<b>Float Charging Voltage</b>	2.27 to 2.3 V per cell average at 25°C
<b>Maximum Discharge Current</b>	500A (5 Sec)
<b>Maximum Charging Current</b>	20A
<b>Equalization and Cycle Service Charging Voltage</b>	2.43 to 2.47 V per cell average at 25°C
<b>Terminal:</b>	Thread Inserted Terminal to accept M8 bolt
<b>Container materials</b>	ABS (UL-94 HB, UL-94 V0 optional)

### Constant Power Discharge Table - Watts Per Cell @ 25°C (77°F)

#### Operating Time to End Point Voltage

EPV	15min	30min	1hr	2hr	3hr	4hr	5hr	6hr	8hr	10hr
1.85	143.8	127.3	92.7	59.0	45.2	36.7	31.4	26.6	21.8	18.7
1.80	168.6	141.2	100.3	62.3	47.4	39.7	32.9	28.1	23.0	19.4
1.75	194.8	154.8	106.3	65.2	49.5	39.8	34.0	28.5	23.4	20.1
1.70	218.7	171.8	115.4	68.9	51.3	41.9	35.5	29.9	24.1	20.4
1.65	231.5	181.5	117.6	69.9	52.1	42.1	35.8	30.6	24.5	20.8
1.60	237.7	182.5	118.0	71.0	53.2	42.7	36.2	31.0	24.7	21.0

### Constant Current Discharge Table - Amps @ 25°C (77°F)

#### Operating Time to End Point Voltage

EPV	15min	30min	1hr	2hr	3hr	4hr	5hr	6hr	8hr	10hr
1.85	77.8	66.9	48.5	30.9	23.1	18.8	16.0	13.6	11.1	9.4
1.80	92.0	74.3	52.5	32.7	24.3	20.4	16.8	14.3	11.6	10.1
1.75	106.9	81.6	55.7	34.3	25.3	20.6	17.4	14.5	11.8	10.3
1.70	120.4	90.6	60.5	36.3	26.7	21.8	18.2	15.3	12.2	10.5
1.65	129.1	96.1	61.7	36.9	27.3	22.0	18.4	15.7	12.4	10.7
1.60	135.8	100.1	64.4	38.3	28.5	22.7	19.2	16.1	13.0	10.9

\* All data shall be changed without prior notice, C&D reserves the right to explain and update the information contained hereinto.