



**MULTI  
PURPOSE  
SERIES**

**MPS 12-26A**

**VALVE REGULATED LEAD ACID BATTERY  
FOR STANDBY POWER APPLICATIONS**

**12V 26 AH @ 20 HR Rate,  
12V 87 Watts/Cell @ 15 Min Rate**



**FEATURES**

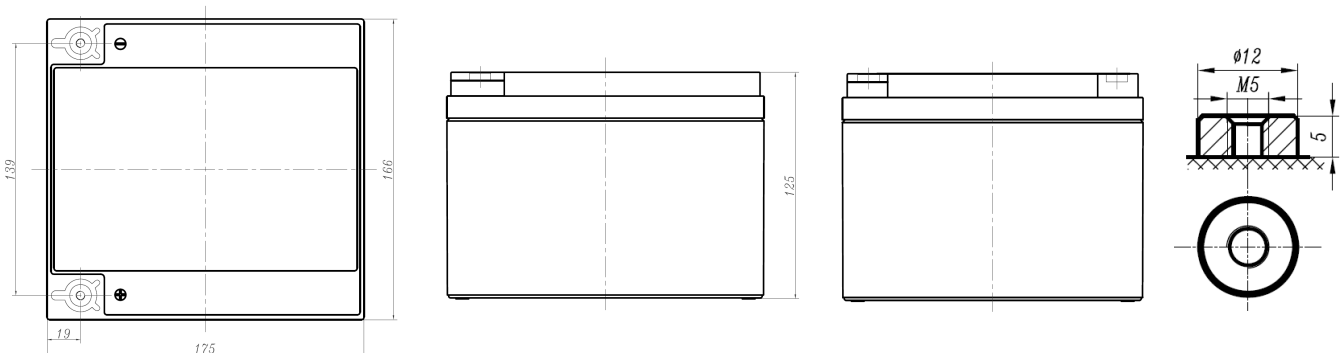
**APPLICATIONS**

- Telecommunications
- General Purpose Applications
- Uninterrupted Power Supply (UPS)
- Other Float Applications

- Design life: 5 year
- Robust plate for extended life.
- Flame-arresting one-way pressure-relief vent for safety and long life.
- Absorbent Glass Mat (AGM) technology for efficient gas recombination of up to 99% and freedom from electrolyte maintenance.
- Multicell design for economy of installation and maintenance.
- Computer designed lead, low Calcium alloy grid for minimal gassing and ease of recycling.
- UL-recognized component.
- Can be used in upright, side, or end mounting orientation.
- Not restricted for air transport – Complies with IATA/ICAO Special Provision A67.
- Not restricted for surface transport – classified as non-hazardous material as related to DOT-CFR Title 49 parts 171-189
- Not restricted for water transport – classified as non-hazardous material per IMDG Amendment 27

**SPECIFICATIONS**

| Cells Per Unit | Voltage Per Unit | Weight | IEC Rating (C10, 1.80V @ 20°C) | Capacity (C20, 1.75V @ 25°C) | Watts/Cell @ 15min | Short Circuit Current | Resistance |
|----------------|------------------|--------|--------------------------------|------------------------------|--------------------|-----------------------|------------|
| 6              | 12 V             | 8.1 Kg | 23.8 Ah                        | 26 Ah                        | 87                 | 650 Amps              | 10 (mΩ)    |



\*All dimensions in millimeters. All dimensions are for reference only. Contact a C&D Representative for complete dimensional information.

## SPECIFICATIONS

|   |  |
|---|--|
| Operating Temperature Range with temperature compensation | Discharge: -20°C to 60°C<br>Charge: 0°C to 50°C  |
| Recommended Operating Temperature Range                   | 23°C to 27°C   |
| Floating Charging Voltage                                 | 13.7 to 13.9 VDC/unit Average at 77°F (25°C).  |
| Recommended Maximum Charging Current Limit                | C/5 amperes @ 20 hr. rate.   |
| Equalization and Cycle Service Charging Voltage           | 14.6 to 14.8 VDC/unit Average at 77°F (25°C).  |
| Maximum AC Ripple (Charger)                               | 0.5% RMS or 1.5% P-P of float charge voltage recommended for best results. Maximum voltage allowed = 1.4% RMS (4% P-P). Maximum current allowed = 5.10 amperes RMS (C/20). |
| Self Discharge  | MPS batteries may be stored for up to 6 months at 77°F (25°C) and then a freshening charge is required. For higher temperatures the time interval will be shorter.         |
| Accessories   | Inter unit connectors, racks and cabinet systems are available.  |
| Terminal:   | Insert terminal to accept M5 bolt (L-type terminal optional)   |
| Container and Cover Materials                             | ABS (UL-94 HB)   |

### Constant Power Discharge Ratings Watts Per Cell @ 77°F (25°C)

#### Operating Time to End Point Voltage

| EPV  | 5 min | 10 min | 15 min | 20 min | 25 min | 30 min | 45 min | 60 min | 90 min | 2 hr | 3 hr | 4 hr | 5 hr | 8 hr | 10 hr | 12 hr | 20 hr |
|------|-------|--------|--------|--------|--------|--------|--------|--------|--------|------|------|------|------|------|-------|-------|-------|
| 1.85 | 112.5 | 88.0   | 72.5   | 69.6   | 56.2   | 49.4   | 37.5   | 32.2   | 24.5   | 18.7 | 13.3 | 10.8 | 8.7  | 5.8  | 4.9   | 4.2   | 2.5   |
| 1.80 | 127.6 | 94.5   | 77.0   | 71.8   | 57.8   | 50.8   | 38.4   | 32.8   | 24.8   | 19.4 | 13.5 | 10.9 | 8.8  | 5.8  | 5.0   | 4.2   | 2.5   |
| 1.75 | 141.5 | 101.0  | 81.5   | 73.6   | 59.3   | 52.1   | 39.2   | 33.3   | 24.9   | 19.5 | 13.7 | 11.0 | 8.9  | 5.9  | 5.0   | 4.3   | 2.7   |
| 1.70 | 155.0 | 105.4  | 86.0   | 74.4   | 60.2   | 53.1   | 39.8   | 33.8   | 24.9   | 19.7 | 13.7 | 11.1 | 9.0  | 5.9  | 5.1   | 4.3   | 2.8   |
| 1.67 | 162.9 | 109.7  | 87.1   | 75.5   | 60.9   | 53.6   | 40.5   | 34.0   | 25.0   | 19.8 | 13.8 | 11.2 | 9.1  | 6.0  | 5.1   | 4.3   | 2.8   |
| 1.65 | 164.9 | 111.1  | 88.2   | 76.4   | 61.7   | 54.3   | 41.0   | 34.4   | 25.3   | 19.8 | 13.8 | 11.2 | 9.1  | 6.0  | 5.2   | 4.3   | 2.8   |

### Constant Current Discharge Ratings - Amperes @ 77°F (25°C)

#### Operating Time to End Point Voltage

| EPV  | 5 min | 10 min | 15 min | 30 min | 60 min | 90 min | 2 hr | 3 hr | 4 hr | 5 hr | 6 hr | 7 hr | 8 hr | 10 hr | 12 hr | 20 hr | 24 hr |
|------|-------|--------|--------|--------|--------|--------|------|------|------|------|------|------|------|-------|-------|-------|-------|
| 1.90 | 82.0  | 46.8   | 42.5   | 22.6   | 14.8   | 10.9   | 8.5  | 6.0  | 4.9  | 4.0  | 3.4  | 3.0  | 2.7  | 2.3   | 2.0   | 1.2   | 1.0   |
| 1.85 | 61.0  | 46.8   | 38.3   | 25.0   | 16.1   | 12.0   | 9.4  | 6.6  | 5.4  | 4.4  | 3.6  | 3.2  | 2.8  | 2.4   | 2.1   | 1.2   | 1.0   |
| 1.80 | 69.7  | 51.1   | 41.5   | 26.0   | 16.6   | 12.4   | 9.8  | 6.8  | 5.5  | 4.4  | 3.7  | 3.2  | 2.9  | 2.5   | 2.1   | 1.3   | 1.1   |
| 1.75 | 77.8  | 54.8   | 44.0   | 26.8   | 16.9   | 12.5   | 9.8  | 6.8  | 5.5  | 4.5  | 3.8  | 3.3  | 2.9  | 2.5   | 2.1   | 1.3   | 1.1   |

Note: Batteries to be mounted with 0.5 in. (1.25 cm) spacing minimum and free air ventilation. Specifications subject to change without notification.