



**MULTI
PURPOSE
SERIES**

MPS12-54

**VALVE REGULATED LEAD ACID BATTERY
FOR STANDBY POWER APPLICATIONS**

**12V 54 AH @ 20 HR Rate,
12V 161 Watts/Cell @ 15 Min Rate**



FEATURES

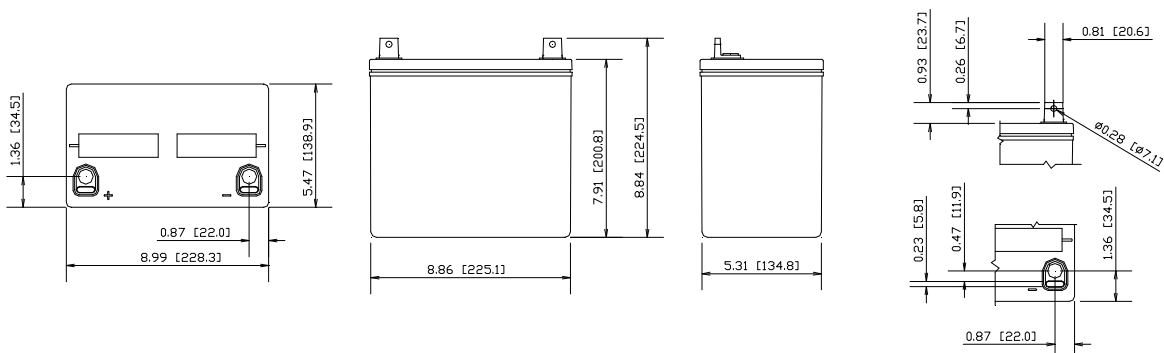
APPLICATIONS

- Telecommunications
- General Purpose Applications
- Uninterrupted Power Supply (UPS)
- Other Float Applications

- Design life: 10 year
- Robust plate for extended life.
- Flame-arresting one-way pressure-relief vent for safety and long life.
- Absorbent Glass Mat (AGM) technology for efficient gas recombination of up to 99% and freedom from electrolyte maintenance.
- Multicell design for economy of installation and maintenance.
- Computer designed lead, low Calcium alloy grid for minimal gassing and ease of recycling.
- UL-recognized component.
- Can be used in upright, side, or end mounting orientation.
- Not restricted for air transport – Complies with IATA/ICAO Special Provision A67.
- Not restricted for surface transport – classified as non-hazardous material as related to DOT-CFR Title 49 parts 171-189
- Not restricted for water transport – classified as non-hazardous material per IMDG Amendment 27

SPECIFICATIONS

Cells Per Unit	Voltage Per Unit	Weight	IEC Rating (C10, 1.80V @ 20°C)	Capacity (C20, 1.75V @ 25°C)	Watts/Cell @ 15min	Short Circuit Current	Resistance
6	12.98V	17 Kg	46 Ah	54 Ah	161	1295 Amps	9.6 (mΩ)



*All dimensions in inches and (millimeters). All dimensions are for reference only. Contact a C&D Representative for complete dimensional information.

SPECIFICATIONS

Operating Temperature Range with temperature compensation	Discharge: -40°F (-40°C) to +160°F (71°C). Charge: -10°F (-23°C) to +140°F (60°C)
Recommended Operating Temperature Range	+74°F (23°C) to +80°F (27°C).
Floating Charging Voltage	13.65 ± 0.15 VDC/unit Average at 77°F (25°C).
Recommended Maximum Charging Current Limit	C/5 amperes @ 20 hr. rate.
Equalization and Cycle Service Charging Voltage	14.4 to 14.8 VDC/unit Average at 77°F (25°C).
Maximum AC Ripple (Charger)	0.5% RMS or 1.5% P-P of float charge voltage recommended for best results. Maximum voltage allowed = 1.4% RMS (4% P-P). Maximum current allowed = 5.10 amperes RMS (C/20).
Self Discharge	MPS batteries may be stored for up to 6 months at 77°F (25°C) and then a freshening charge is required. For higher temperatures the time interval will be shorter.
Accessories	Inter unit connectors, racks and cabinet systems are available.
Terminal	L-type terminal with 0.28" clearance hole to accept 0.25" (6mm) bolt.
Container and Cover Materials	PP (UL94 HB)

Constant Power Discharge Ratings Watts Per Cell @ 77°F(25°C)

Operating Time to End Point Voltage

EPV	5 min	10 min	15 min	20 min	25 min	30 min	45 min	60 min	90 min	2 hr	3 hr	4 hr	5 hr	8 hr	10 hr	12 hr	20 hr
1.85	202.0	160.5	129.7	110.0	96.7	87.1	67.3	56.0	41.0	32.9	23.9	19.1	16.0	11.0	9.1	7.8	5.0
1.80	228.5	177.0	142.4	119.5	104.3	93.4	71.7	59.5	43.1	34.3	24.8	19.7	16.5	11.2	9.3	8.0	5.2
1.75	242.9	186.0	152.0	125.9	108.8	96.6	73.9	61.1	44.1	34.9	25.2	19.9	16.7	11.3	9.4	8.0	5.2
1.70	257.2	195.6	158.4	130.3	112.0	99.0	75.0	61.6	44.4	35.2	25.3	20.1	16.9	11.4	9.4	8.1	5.2
1.67	263.3	200.2	161.0	132.1	113.3	100.0	75.6	62.0	44.6	35.3	25.4	20.2	16.9	11.4	9.5	8.1	5.3
1.65	265.9	203.0	162.0	133.0	114.1	100.7	76.0	62.3	45.0	35.7	25.6	20.3	17.0	11.5	9.5	8.1	5.3

Constant Current Discharge Ratings - Amperes @ 77°F(25°C)

Operating Time to End Point Voltage

EPV	5 min	10 min	15 min	30 min	60 min	90 min	2 hr	3 hr	4 hr	5 hr	6 hr	7 hr	8 hr	10 hr	12 hr	20 hr	24 hr
1.90	73.9	71.0	59.3	41.9	26.7	20.0	16.3	11.6	9.2	7.6	6.6	5.8	5.2	4.3	3.7	2.4	2.1
1.85	105.0	87.3	71.3	46.6	29.3	21.9	17.8	12.7	9.9	8.2	7.1	6.2	5.6	4.6	4.0	2.6	2.2
1.80	124.3	97.0	78.0	50.2	31.3	23.1	18.6	13.2	10.4	8.6	7.4	6.5	5.8	4.8	4.1	2.7	2.3
1.75	135.9	104.4	83.0	52.6	32.1	23.5	18.8	13.4	10.5	8.7	7.5	6.6	5.9	4.9	4.2	2.7	2.3

Note: Batteries to be mounted with 0.5 in. (1.25 cm) spacing minimum and free air ventilation. Specifications subject to change without notification.