



**MULTI
PURPOSE
SERIES**

MPS12-76

**VALVE REGULATED LEAD ACID BATTERY
FOR STANDBY POWER APPLICATIONS**

**12V 76 AH @ 20 HR Rate,
12V 236 Watts/Cell @ 15 Min Rate**



FEATURES

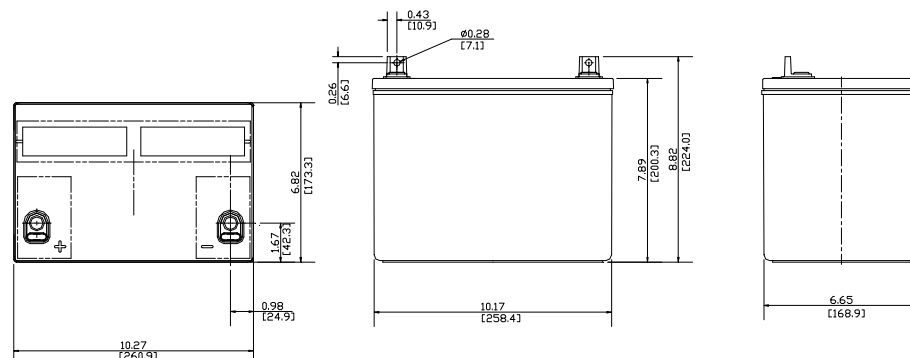
APPLICATIONS

- Telecommunications
- General Purpose Applications
- Uninterrupted Power Supply (UPS)
- Other Float Applications

- Design life: 10 year
- Robust plate for extended life.
- Flame-arresting one-way pressure-relief vent for safety and long life.
- Absorbent Glass Mat (AGM) technology for efficient gas recombination of up to 99% and freedom from electrolyte maintenance.
- Multicell design for economy of installation and maintenance.
- Computer designed lead, low Calcium alloy grid for minimal gassing and ease of recycling.
- UL-recognized component.
- Can be used in upright, side, or end mounting orientation.
- Not restricted for air transport – Complies with IATA/ICAO Special Provision A67.
- Not restricted for surface transport – classified as non-hazardous material as related to DOT-CFR Title 49 parts 171-189
- Not restricted for water transport – classified as non-hazardous material per IMDG Amendment 27

SPECIFICATIONS

Cells Per Unit	Voltage Per Unit	Weight	IEC Rating (C10, 1.80V @ 20°C)	Capacity (C20, 1.75V @ 25°C)	Watts/Cell @ 15min	Short Circuit Current	Resistance
6	12.98V	23.3 Kg	66 Ah	76 Ah	236	1784 Amps	7.0 (mΩ)



*All dimensions in inches and (millimeters). All dimensions are for reference only. Contact a C&D Representative for complete dimensional information.

SPECIFICATIONS

Operating Temperature Range with temperature compensation	Discharge: -40°F (-40°C) to +160°F (71°C). Charge: -10°F (-23°C) to +140°F (60°C)
Recommended Operating Temperature Range	+74°F (23°C) to +80°F (27°C).
Floating Charging Voltage	13.65 ± 0.15 VDC/unit Average at 77°F (25°C).
Recommended Maximum Charging Current Limit	C/5 amperes @ 20 hr. rate.
Equalization and Cycle Service Charging Voltage	14.4 to 14.8 VDC/unit Average at 77°F (25°C).
Maximum AC Ripple (Charger)	0.5% RMS or 1.5% P-P of float charge voltage recommended for best results. Maximum voltage allowed = 1.4% RMS (4% P-P). Maximum current allowed = 5.10 amperes RMS (C/20).
Self Discharge	MPS batteries may be stored for up to 6 months at 77°F (25°C) and then a freshening charge is required. For higher temperatures the time interval will be shorter.
Accessories	Inter unit connectors, racks and cabinet systems are available.
Terminal	L-type terminal with 0.28" clearance hole to accept 0.25" (6mm) bolt.
Container and Cover Materials	PP (UL94 HB)

Constant Power Discharge Ratings Watts Per Cell @ 77°F (25°C)

Operating Time to End Point Voltage

EPV	5 min	10 min	15 min	20 min	25 min	30 min	45 min	60 min	90 min	2 hr	3 hr	4 hr	5 hr	8 hr	10 hr	12 hr	20 hr
1.85	283.0	234.0	191.1	162.1	142.7	128.5	99.5	83.0	60.9	48.9	35.5	28.3	24.0	16.2	13.4	11.5	7.3
1.80	316.8	261.2	212.4	177.2	153.9	137.2	105.6	87.8	63.7	50.7	36.8	29.3	24.8	16.7	13.8	11.8	7.5
1.75	347.0	276.0	223.4	184.9	159.6	141.6	108.0	89.2	64.7	51.5	37.4	29.8	25.1	17.0	14.0	12.0	7.6
1.70	366.5	288.9	232.7	191.0	163.9	144.6	109.5	89.9	65.2	51.9	37.6	29.9	25.3	17.0	14.1	12.0	7.6
1.67	386.1	295.5	236.5	193.6	165.7	146.0	110.3	90.4	65.5	52.1	37.7	30.0	25.4	17.1	14.1	12.1	7.6
1.65	397.6	299.5	239.5	195.5	167.0	146.9	110.5	90.2	65.5	52.2	37.8	30.1	25.5	17.1	14.1	12.1	7.6

Constant Current Discharge Ratings - Amperes @ 77°F (25°C)

Operating Time to End Point Voltage

EPV	5 min	10 min	15 min	30 min	60 min	90 min	2 hr	3 hr	4 hr	5 hr	6 hr	7 hr	8 hr	10 hr	12 hr	20 hr	24 hr
1.90	92.0	91.0	80.1	62.3	39.0	28.7	23.1	16.6	13.1	10.8	9.3	8.2	7.4	6.1	5.3	3.4	2.9
1.85	131.3	118.6	97.8	69.0	42.6	31.1	24.8	17.8	14.1	11.7	10.1	8.9	8.0	6.6	5.7	3.6	3.1
1.80	170.7	139.9	116.6	74.0	44.3	32.2	25.7	18.5	14.6	12.2	10.4	9.2	8.2	6.8	5.8	3.8	3.3
1.75	203.8	150.0	122.0	75.6	44.9	32.7	26.1	18.8	14.8	12.3	10.6	9.3	8.3	6.9	5.9	3.8	3.3

Note: Batteries to be mounted with 0.5 in. (1.25 cm) spacing minimum and free air ventilation. Specifications subject to change without notification.