



**HIGH  
RATE  
MAX<sup>XT</sup>**



# UPS12-130MRX

**Valve Regulated Lead Acid Battery**

**Designed for UPS Standby Power Applications**

## FEATURES AND BENEFITS

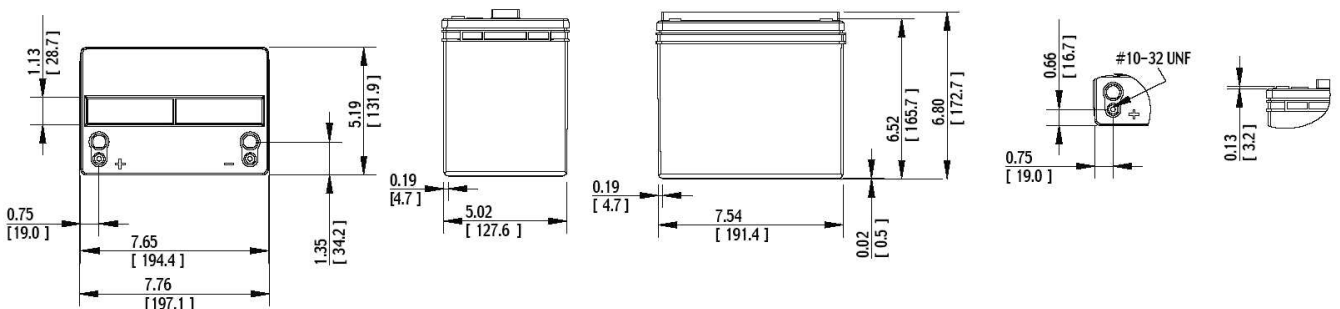
### APPLICATIONS

- Data Centers
- Network Operation Centers
- Industrial Process Control Facilities
- Internet Housing Sites
- Semiconductor Manufacturing
- Banks and Financial Markets
- Power Generation Plants
- Hospital and Testing Laboratories
- Emergency Response Center

- 10 year design life @ 25°C
- Absorbent Glass Mat (AGM) technology for efficient gas recombination of up to 99% and freedom from electrolyte maintenance.
- 3 Year Warranty (refer Dynasty warranty card, 41-9027)
- Patented Long Life Alloy having the lowest calcium levels in the industry - minimizing grid growth, reducing gassing, and extending battery life
- Patented UL Recognized Flame-arresting vents in each cell for safety and long life.
- Designed with the same recombination, thermal runaway prevention, gassing and flame retardant characteristics of the Bellcore 4228 compliant Dynasty Telecom products.
- Flame retardant polypropylene case and cover compliant with UL94V-2
- Proprietary Fixed Orifice Plate Pasting technology applying active materials on both sides of the grid for consistent cell-to-cell performance, higher capacity and uniform grid protection.
- Thermally welded case-to-cover bond to eliminate leakage
- Can be operated in upright, side or end mounting orientation.
- Not restricted for air transport -Complies with IATA/ICAO Special Provisions A67.
- Not restricted for surface transport - Classified as non-hazardous material as related to DOT-CFR Title 49 parts171-189
- Not restricted for water transport - Classified as non-hazardous material per IMDG Amendment 27.

## Specifications

Cells Per Unit	Voltage Per Unit	Weight	Watts/Cell @ 15min	1 Min Current to 1.75VPC	Short Circuit Current	Resistance
6	12.98V	11.5 Kg	130	216 Amps	1321 Amps	9.38 (mOhms)



\*All dimensions in inches and (millimeters). All dimensions are for reference only. Contact a C&D Representative for complete dimensional information.

## Specifications

<b>Operating Temperature Range with temperature compensation</b>	Discharge: -40° F (-40° C) to +160° F (71° C) Charge: -10° F (-23° C) to +140° F (60° C)
<b>Nominal Operating Temperature Range</b>	+74° F (23° C) to +80° F (27° C)
<b>Recommended Maximum Charging Current Limit</b>	C/5 amperes @ 20hr rate
<b>Float Charging Voltage</b>	13.65 ± 0.15 VDC average per 12V unit
<b>Maximum AC Ripple (Charger)</b>	0.5% RMS or 1.5% P-P of float charge voltage recommended for best results. Max voltage allowed = 1.4% RMS (4% P-P) Max current allowed = C/20
<b>Self Discharge</b>	Battery can be stored up to 6 months at 77° F (25° C) before a freshening charge is required. Batteries stored at temperatures greater than 77° F (25° C) will require recharge sooner than batteries stored at lower temperatures. See C&D brochure 41-7272, Self-Discharge and Inventory Control for details.
<b>Equalize charge and cycle service voltage</b>	14.40 to 14.80 VDC average per 12V unit @ 77° F (25° C)
<b>Terminal</b>	Threaded copper alloy insert terminal to accept #10-32 UNF bolt
<b>Terminal Hardware Initial Torque</b>	30 in.-lbs. (3.4 N-m)

### Constant Power Discharge Table - Watts Per Cell @ 25°C (77°F)

#### Operating Time to End Point Voltage

EPV	5 min	10 min	15 min	20 min	25 min	30 min	45 min	60 min	90 min	2 hr	3 hr	4 hr	5 hr	8 hr	10 hr	12 hr	20 hr
1.85	185.5	140.7	112.4	92.3	79.1	69.8	52.5	42.8	31.3	25.1	17.8	14.0	11.6	7.7	6.3	5.3	3.3
1.80	204.3	155.4	123.8	100.4	85.4	74.8	55.7	45.2	33.0	26.3	18.6	14.5	12.1	8.0	6.5	5.5	3.4
1.75	214.0	165.7	129.7	105.1	89.3	78.2	57.7	46.5	33.5	26.6	18.9	14.8	12.3	8.1	6.6	5.6	3.5
1.70	220.8	172.1	133.8	108.0	91.4	79.8	58.8	47.3	33.9	26.8	19.1	14.9	12.3	8.1	6.6	5.6	3.5
1.67	225.0	176.1	135.0	109.1	92.4	80.7	59.3	47.6	34.1	26.9	19.1	14.9	12.4	8.1	6.6	5.6	3.5
1.65	227.8	178.7	137.0	110.4	93.3	81.4	59.7	47.9	34.3	27.0	19.2	15.0	12.4	8.1	6.6	5.6	3.5

### Constant Current Discharge Table - Amps @ 25°C (77°F)

#### Operating Time to End Point Voltage

EPV	5 min	10 min	15 min	30 min	60 min	90 min	2 hr	3 hr	4 hr	5 hr	6 hr	7 hr	8 hr	10 hr	12 hr	20 hr	24 hr
1.90	78.4	68.3	54.0	34.5	21.4	15.0	11.6	8.1	6.3	5.2	4.4	3.9	3.4	2.8	2.4	1.5	1.3
1.85	101.7	77.8	61.7	38.2	23.8	16.6	12.9	9.0	7.0	5.7	4.9	4.2	3.8	3.1	2.6	1.7	1.4
1.80	111.5	85.0	67.6	40.8	25.1	17.5	13.5	9.4	7.3	6.0	5.1	4.4	3.9	3.2	2.7	1.7	1.5
1.75	117.5	89.0	70.5	42.4	25.5	17.7	13.7	9.6	7.4	6.1	5.2	4.5	4.0	3.3	2.8	1.8	1.5

Note: Batteries to be mounted with 0.5 in. (1.25 cm) spacing minimum and free air ventilation. Specifications subject to change without notification.