



**HIGH
RATE
MAX^{XT}**



UPS12-150MR

Valve Regulated Lead Acid Battery

Designed for UPS Standby Power Applications

FEATURES AND BENEFITS

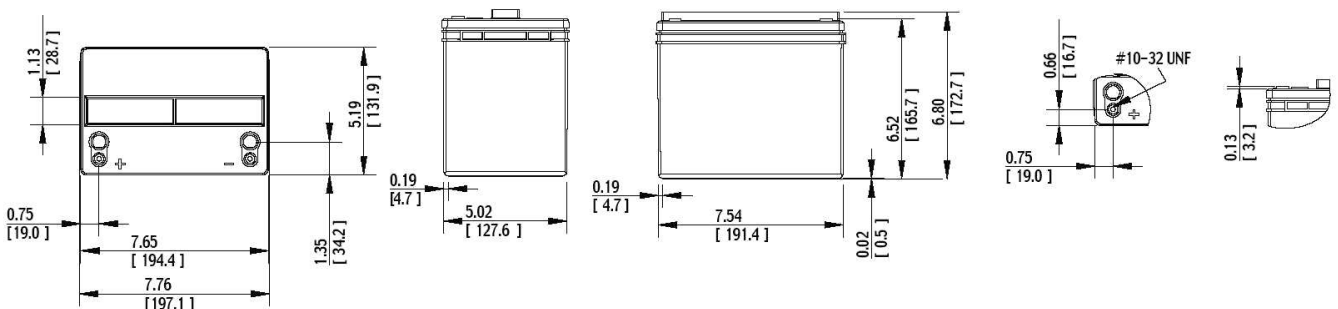
APPLICATIONS

- Data Centers
- Network Operation Centers
- Industrial Process Control Facilities
- Internet Housing Sites
- Semiconductor Manufacturing
- Banks and Financial Markets
- Power Generation Plants
- Hospital and Testing Laboratories
- Emergency Response Center

- 10 year design life @ 25°C
- Absorbent Glass Mat (AGM) technology for efficient gas recombination of up to 99% and freedom from electrolyte maintenance.
- 3 Year Warranty (refer Dynasty warranty card, 41-9027)
- Patented Long Life Alloy having the lowest calcium levels in the industry - minimizing grid growth, reducing gassing, and extending battery life
- Patented UL Recognized Flame-arresting vents in each cell for safety and long life.
- Designed with the same recombination, thermal runaway prevention, gassing and flame retardant characteristics of the Bellcore 4228 compliant Dynasty Telecom products.
- Flame retardant polypropylene case and cover compliant with UL94V-2
- Proprietary Fixed Orifice Plate Pasting technology applying active materials on both sides of the grid for consistent cell-to-cell performance, higher capacity and uniform grid protection.
- Thermally welded case-to-cover bond to eliminate leakage
- Can be operated in upright, side or end mounting orientation.
- Not restricted for air transport -Complies with IATA/ICAO Special Provisions A67.
- Not restricted for surface transport - Classified as non-hazardous material as related to DOT-CFR Title 49 parts171-189
- Not restricted for water transport - Classified as non-hazardous material per IMDG Amendment 27.

Specifications

Cells Per Unit	Voltage Per Unit	Weight	Watts/Cell @ 15min	1 Min Current to 1.75VPC	Short Circuit Current	Resistance
6	12.98V	12.4 Kg	150	269 Amps	1475 Amps	8.45 (mOhms)



*All dimensions in inches and (millimeters). All dimensions are for reference only. Contact a C&D Representative for complete dimensional information.

Specifications

Operating Temperature Range with temperature compensation	Discharge: -40° F (-40° C) to +160°F (71°C) Charge: -10°F (-23°C) to +140°F (60°C)
Nominal Operating Temperature Range	+74° F (23°C) to +80°F (27°C)
Recommended Maximum Charging Current Limit	C/5 amperes @ 20hr rate
Float Charging Voltage	13.65 ± 0.15 VDC average per 12V unit
Maximum AC Ripple (Charger)	0.5% RMS or 1.5% P-P of float charge voltage recommended for best results. Max voltage allowed = 1.4% RMS (4% P-P) Max current allowed = C/20
Self Discharge	Battery can be stored up to 6 months at 77° F (25°C) before a freshening charge is required. Batteries stored at temperatures greater than 77°F (25°C) will require recharge sooner than batteries stored at lower temperatures. See C&D brochure 41-7272, Self-Discharge and Inventory Control for details.
Equalize charge and cycle service voltage	14.40 to 14.80 VDC average per 12V unit @ 77° F (25°C)
Terminal	Threaded copper alloy insert terminal to accept #10-32 UNF bolt
Terminal Hardware Initial Torque	30 in.-lbs. (3.4 N-m)

Constant Power Discharge Table - Watts Per Cell @ 25°C (77°F)

Operating Time to End Point Voltage

EPV	5 min	10 min	15 min	20 min	25 min	30 min	45 min	60 min	90 min	2 hr	3 hr	4 hr	5 hr	8 hr	10 hr	12 hr	20 hr
1.85	204.6	156.5	124.0	101.6	87.1	76.7	57.0	46.2	32.6	25.5	18.0	14.1	11.6	7.8	6.4	5.3	3.2
1.80	226.1	172.7	137.0	110.7	93.8	82.0	59.7	47.7	33.7	26.3	18.6	14.6	12.0	8.0	6.6	5.5	3.3
1.75	236.0	179.8	143.0	114.7	96.6	84.0	60.6	48.1	33.9	26.5	18.7	14.7	12.2	8.2	6.7	5.6	3.4
1.70	245.9	185.4	147.0	117.7	99.0	86.0	61.5	48.5	34.2	26.7	18.9	14.9	12.2	8.2	6.8	5.6	3.4
1.67	249.2	189.2	150.0	119.4	100.0	86.5	61.8	48.7	34.3	26.8	18.9	14.9	12.3	8.2	6.8	5.7	3.4
1.65	250.8	192.2	152.0	120.6	100.7	87.0	62.1	48.9	34.5	26.9	19.0	15.0	12.3	8.3	6.8	5.7	3.4

Constant Current Discharge Table - Amps @ 25°C (77°F)

Operating Time to End Point Voltage

EPV	5 min	10 min	15 min	30 min	60 min	90 min	2 hr	3 hr	4 hr	5 hr	6 hr	7 hr	8 hr	10 hr	12 hr	20 hr	24 hr
1.90	103.4	79.3	62.7	38.4	23.0	16.0	12.4	8.7	6.7	5.5	4.7	4.1	3.6	3.0	2.5	1.6	1.4
1.85	118.6	90.9	71.8	42.6	25.2	17.5	13.5	9.4	7.3	5.9	5.0	4.4	3.9	3.2	2.7	1.7	1.5
1.80	128.4	98.5	77.8	45.3	26.4	18.3	14.2	9.8	7.6	6.2	5.2	4.6	4.0	3.3	2.8	1.8	1.5
1.75	134.1	102.7	80.0	46.7	26.8	18.6	14.3	9.9	7.6	6.2	5.3	4.6	4.1	3.4	2.8	1.8	1.5

Note: Batteries to be mounted with 0.5 in. (1.25 cm) spacing minimum and free air ventilation. Specifications subject to change without notification.