



**HIGH  
RATE  
MAX<sup>XT</sup>**



# UPS12-475MRX

**Valve Regulated Lead Acid Battery**

**Designed for UPS Standby Power Applications**

## FEATURES AND BENEFITS

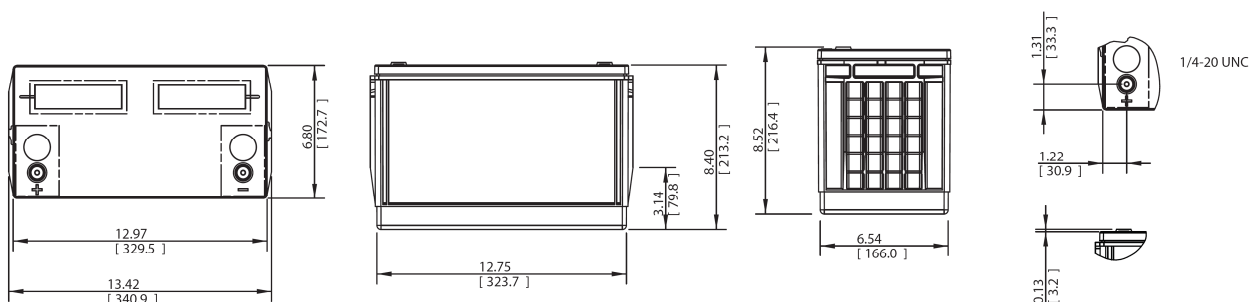
### APPLICATIONS

- Data Centers
- Network Operation Centers
- Industrial Process Control Facilities
- Internet Housing Sites
- Semiconductor Manufacturing
- Banks and Financial Markets
- Power Generation Plants
- Hospital and Testing Laboratories
- Emergency Response Center

- 10 year design life @ 25°C
- Absorbent Glass Mat (AGM) technology for efficient gas recombination of up to 99% and freedom from electrolyte maintenance.
- 3 Year Warranty (refer Dynasty warranty card, 41-9027)
- Patented Long Life Alloy having the lowest calcium levels in the industry - minimizing grid growth, reducing gassing, and extending battery life
- Patented UL Recognized Flame-arresting vents in each cell for safety and long life.
- Designed with the same recombination, thermal runaway prevention, gassing and flame retardant characteristics of the Bellcore 4228 compliant Dynasty Telecom products.
- Flame retardant polypropylene case and cover compliant with UL94V-2
- Proprietary Fixed Orifice Plate Pasting technology applying active materials on both sides of the grid for consistent cell-to-cell performance, higher capacity and uniform grid protection.
- Thermally welded case-to-cover bond to eliminate leakage
- Can be operated in upright, side or end mounting orientation.
- Not restricted for air transport -Complies with IATA/ICAO Special Provisions A67.
- Not restricted for surface transport - Classified as non-hazardous material as related to DOT-CFR Title 49 parts171-189
- Not restricted for water transport - Classified as non-hazardous material per IMDG Amendment 27.

## Specifications

Cells Per Unit	Voltage Per Unit	Weight	Watts/Cell @ 15min	1 Min Current to 1.75VPC	Short Circuit Current	Resistance
6	12.98V	38 Kg	475	670 Amps	3350 Amps	3.77 (mOhms)



\*All dimensions in inches and (millimeters). All dimensions are for reference only. Contact a C&D Representative for complete dimensional information.

## Specifications

<b>Operating Temperature Range with temperature compensation</b>	Discharge: -40° F (-40° C) to +160°F (71°C) Charge: -10°F (-23°C) to +140°F (60°C)
<b>Nominal Operating Temperature Range</b>	+74° F (23°C) to +80°F (27°C)
<b>Recommended Maximum Charging Current Limit</b>	C/5 amperes @ 20hr rate
<b>Float Charging Voltage</b>	13.65 ± 0.15 VDC average per 12V unit
<b>Maximum AC Ripple (Charger)</b>	0.5% RMS or 1.5% P-P of float charge voltage recommended for best results. Max voltage allowed = 1.4% RMS (4% P-P) Max current allowed = C/20
<b>Self Discharge</b>	Battery can be stored up to 6 months at 77° F (25°C) before a freshening charge is required. Batteries stored at temperatures greater than 77°F (25°C) will require recharge sooner than batteries stored at lower temperatures. See C&D brochure 41-7272, Self-Discharge and Inventory Control for details.
<b>Equalize charge and cycle service voltage</b>	14.40 to 14.80 VDC average per 12V unit @ 77° F (25°C)
<b>Terminal</b>	Threaded copper alloy insert terminal to accept 1/4-20 UNC bolt
<b>Terminal Hardware Initial Torque</b>	110 in.-lbs. (12.4 N-m)

### Constant Power Discharge Table - Watts Per Cell @ 25°C (77°F)

#### Operating Time to End Point Voltage

EPV	5 min	10 min	15 min	20 min	25 min	30 min	45 min	60 min	90 min	2 hr	3 hr	4 hr	5 hr	8 hr	10 hr	12 hr	20 hr
1.85	552.4	472.4	378.0	315.7	274.6	245.0	189.1	157.3	109.9	85.1	59.5	46.1	37.8	25.0	20.5	17.4	11.1
1.80	664.2	527.6	415.0	343.4	296.4	262.9	200.6	165.6	115.3	89.2	62.1	48.0	39.3	25.9	21.2	18.0	11.4
1.75	727.7	575.5	441.0	362.4	311.1	274.7	207.0	169.3	117.7	90.9	63.2	48.9	40.0	26.2	21.5	18.2	11.5
1.70	759.0	604.1	460.0	375.2	320.3	281.5	210.4	171.2	118.9	91.8	63.8	49.2	40.3	26.4	21.6	18.3	11.6
1.67	783.8	621.9	475.0	384.7	326.6	285.8	212.6	172.3	119.6	92.3	64.1	49.5	40.5	26.5	21.7	18.4	11.6
1.65	790.4	634.0	479.0	388.2	329.8	288.7	214.1	173.2	120.1	92.7	64.3	49.6	40.6	26.6	21.7	18.4	11.6

### Constant Current Discharge Table - Amps @ 25°C (77°F)

#### Operating Time to End Point Voltage

EPV	5 min	10 min	15 min	30 min	60 min	90 min	2 hr	3 hr	4 hr	5 hr	6 hr	7 hr	8 hr	10 hr	12 hr	20 hr	24 hr
1.90	267.5	238.1	187.5	119.2	73.8	51.4	39.7	27.6	21.4	17.5	14.9	13.0	11.5	9.4	8.0	5.1	4.3
1.85	358.9	276.7	217.5	132.9	81.5	56.5	43.6	30.3	23.3	19.1	16.2	14.1	12.5	10.2	8.7	5.5	4.6
1.80	397.7	305.2	241.0	142.7	85.7	59.4	45.8	31.7	24.4	19.9	16.9	14.7	13.0	10.6	9.0	5.7	4.8
1.75	424.5	325.8	257.3	148.8	86.6	60.5	46.9	32.4	24.9	20.3	17.2	15.0	13.2	10.8	9.1	5.7	4.9

Note: Batteries to be mounted with 0.5 in. (1.25 cm) spacing minimum and free air ventilation. Specifications subject to change without notification.